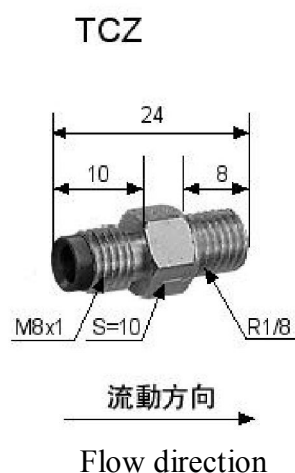
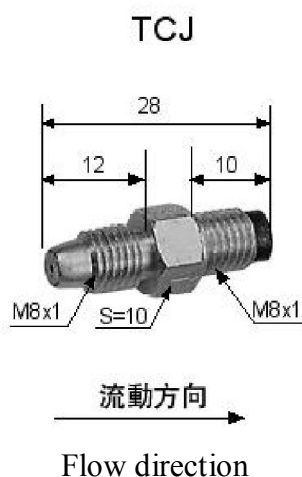


TCJ、TCZ type restriction resist-type proportion distributor

TCJ/TCZ type restriction resist-type proportion distributor has built-in filter screen and single-side valve. It is through throttling of damping hole to control the flow. This resist-type distributor can be delivered the oil in proportion to each lubrication point. It is suitable for resist-type lubrication system.



Dimensions



Specifications

Model	TCJ			TCZ	
Standard	1	2	3	4	5
Flow rate	1	2	4	8	16
Connector diameter	IN: M8×1 OUT: M8×1			IN: M8×1 OUT: R1/8	
Pressure used	1.5 ~20kgf/cm ²				
Viscosity of oil used	20 ~50cst				

※ Note: Difference between through resist-type and restriction resist-type proportion distributor: TZJ/TZZ resist-type distributor has 10 times bigger unit flow than the TCJ/TCZ restriction resist-type proportion distributor .